

MasterCella series



Index protection
IP65
Index protection



**Innovative Solution
for Cold Rooms**



MasterCella series

Easy to Install !

- ✓ *Wall or panel mounting*
- ✓ *It is possible to connect wires either from above or from below*
- ✓ *Easy to wire thanks to the little door on the front panel*
- ✓ *Index of protection IP65: it doesn't require an extra electrical panel*



MasterCella series

Easy to set !

- ✓ *Large LED display [18mm]*
- ✓ *Easy setting parameters*
- ✓ *ON/OFF general on the front*
- ✓ *ON/OFF button light on the front*
- ✓ *Infrared programming*
- ✓ *LEDs for output status*
- ✓ *Possibility to connect to Carel supervisory systems via RS485 serial connection*



MasterCella *compact*



3 models for different type of cold rooms:

- *MTCA000100 Static Units High/Normal Temp.*
- *MTC000100 Ventilated Units Low Temp.*
- *MTC0200100 Ventilated Units Low Temp. comp 2HP*



User interface simple and complete

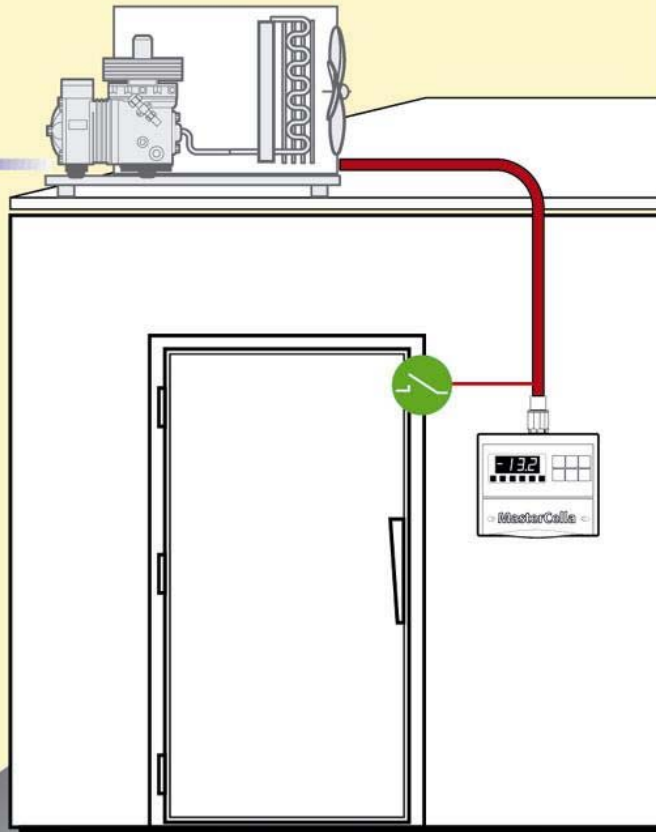
- ✓ *Large LEDs display*
- ✓ *Big buttons*
- ✓ *Several LEDs to display continuously the status of the cold room*



MasterCella *compact*

Integrated Solution

Sistema di
Supervisione
Carel ←

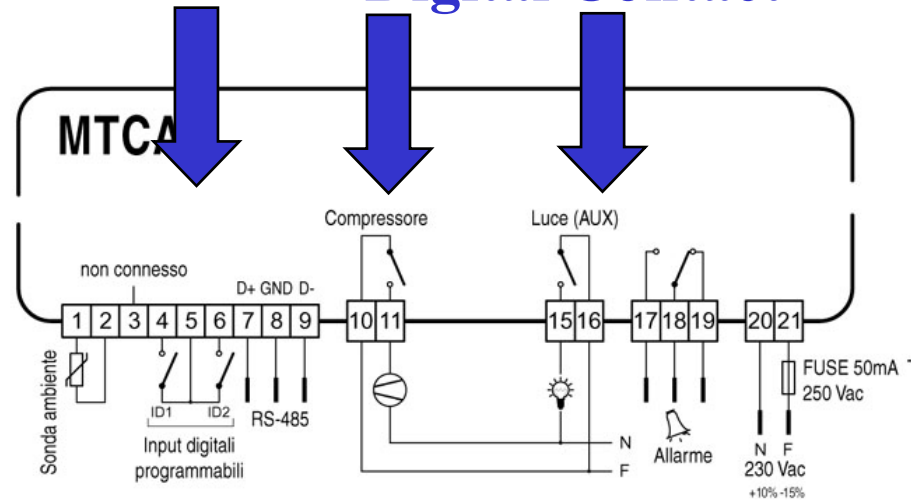


- ✓ *compact control for cold room **single phase***
- ✓ *it does not require an extra electrical panel*
- ✓ *wall or panel mounting*
- ✓ *arranged for connection to standard plastic channels*



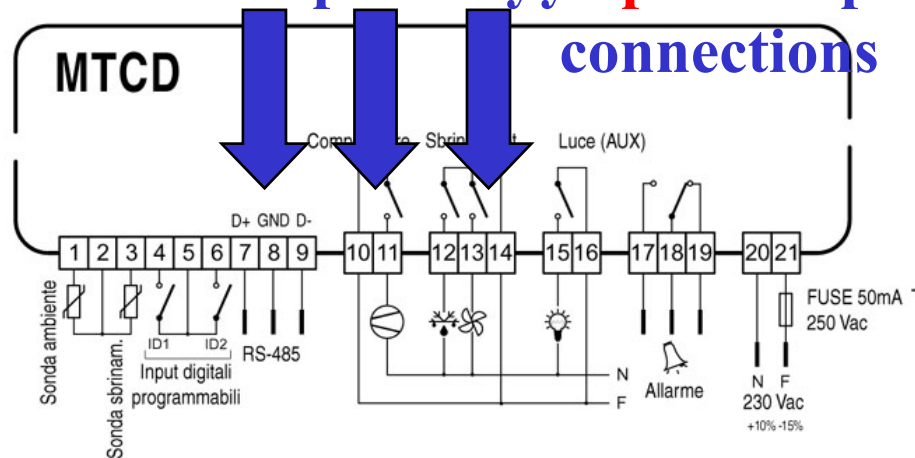
MasterCella compact

On/off Digital Relay 4 A ind



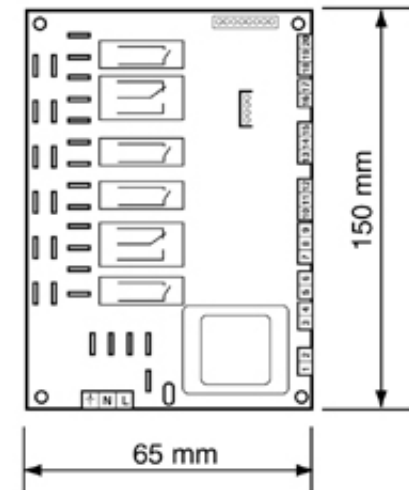
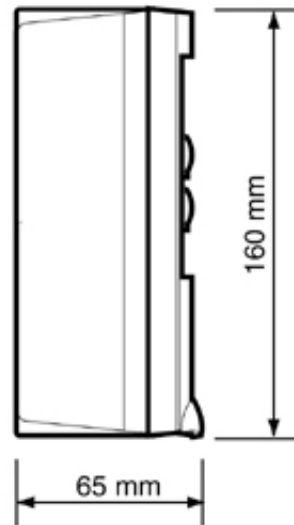
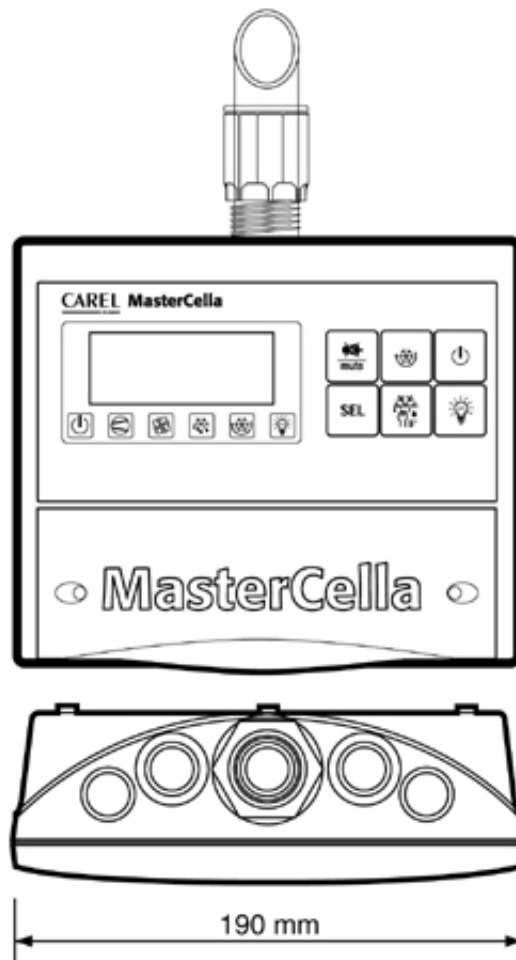
Super Relay 2hp

connections





MasterCella *series*





MasterCella *compact*

Models

MTCA000100, *Normal Temperature*

MTCD000100, MTCD200100 *Low Temperature*

Compressor

SPST relay 8A res. for MTCA, MTCD0

SPST relay 2hp for MTCD200100

Defrost

SPST relay 10 resistive Load /250 Vac

Evaporator fans

SPST relay 4A inductive Load /250 Vac

Light/Aux

SPST relay 4A inductive Load /250 Vac

Alarm

SPDT relay 4A inductive Load/250 Vac

MasterCella *split*



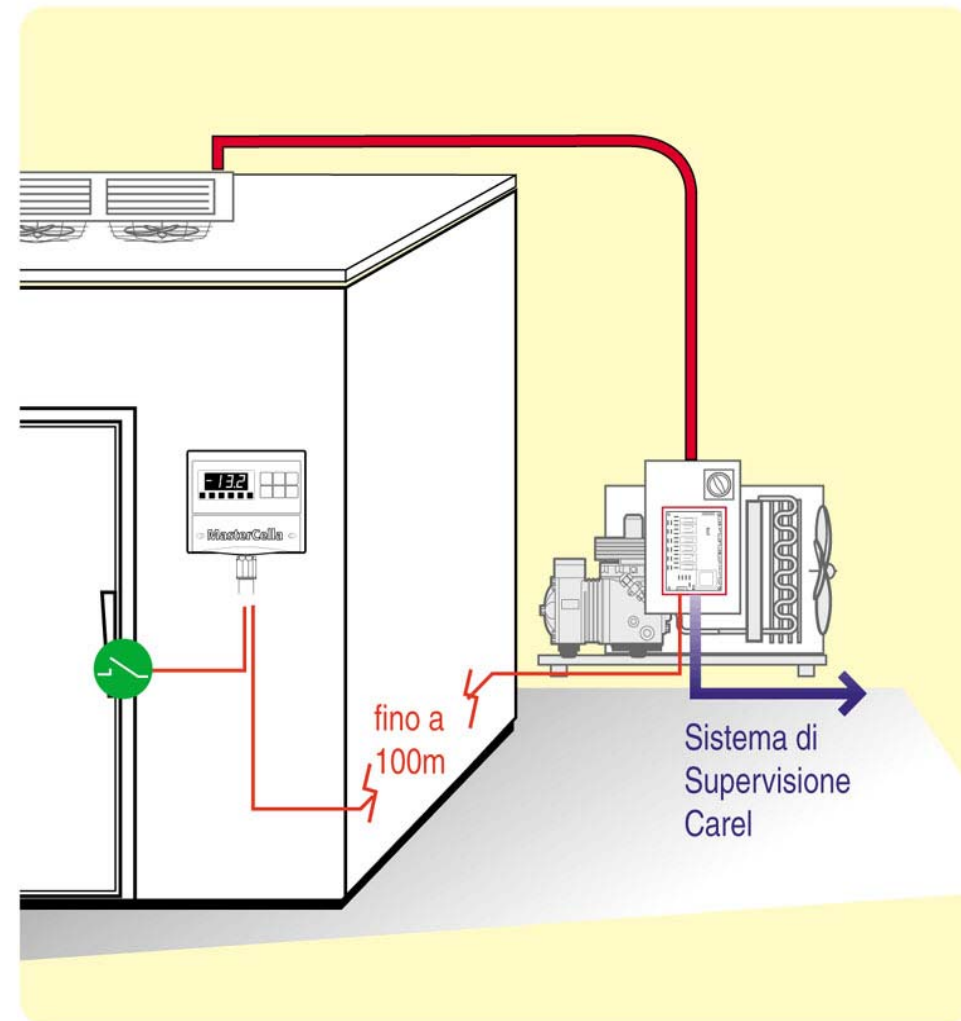
- *Display interface **MTST00V100***
- *Power Board **MTSB000010***



MasterCella *split*

Advanced solution

- ✓ *Control of cold rooms **single-phase/3-phase** remote condensing unit*
- ✓ *Connection to power board up to **100 m***
- ✓ *Keypad configuration or from programming key*
- ✓ *Power board: 6 outputs relay*
- ✓ *Fast and easy connections through fast on connections type*

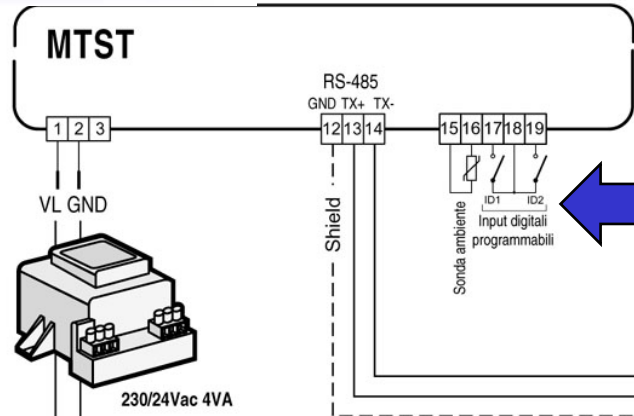




User interface simple and complete

- ✓ *Large LEDs display*
- ✓ *Big buttons*
- ✓ *Several LEDs to display continuously the status of the cold room*
- ✓ *n.1 ambient probe available on the display*
- ✓ *n.2 digital inputs available on the display*

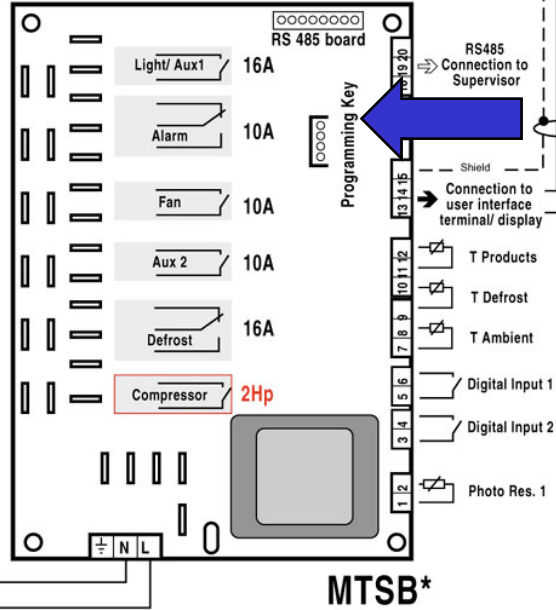
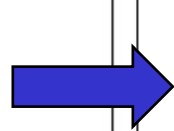
MasterCella *split*



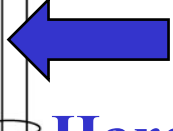
n.2 digital input
n.1 ambient probe

Fast on
Connections

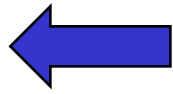
2hp comp. relay



Supervisory
Hardware Key



n.3 probes



LINE

MTSTB*



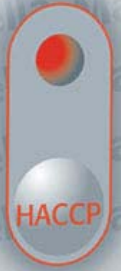
MasterCella *split*

Power Board Features:

- **n.3 temperature probes**
- **n.2 configurable digital inputs**
- **Internal RTC for defrost**
- **Hardware programming key**
- **Supervisory system connection**
- **HACCP Function**



MasterCella *split*



- **HACCP**: *Hazard Analysis and Control Critical Point* – (EU Directive 93/43 – Italian decree law N. 155-156, 1997).
- is a method for controlling processes to ensure the safety of food.
- the MasterCella Split simplifies the **HACCP** procedure, in that it inform the user about the correct temperature trend
- **Clock Option**: lets the user know when the problem occurred
- informations are stored in the memory until user decides to reset using a special password.

Comply With
HACCP
93/43/EU



MasterCella *split*

Models

MTST00V100

Display interface

MTSB000010

Power board

Compressor

SPST relay 2hp

Defrost

SPDT relay 16A resistive Load /250 Vac

Evaporator fans

SPST relay 4A inductive Load /250 Vac

Light

SPST relay 6A inductive Load /250 Vac

Aux

SPST relay 10A inductive Load /250 Vac

Alarm

SPDT relay 10A inductive Load/250 Vac



www.carel.com